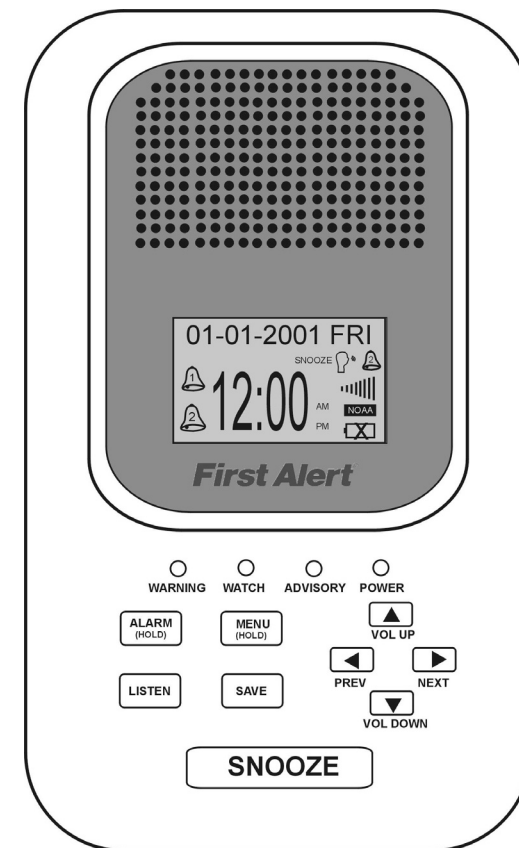


**First Alert<sup>®</sup>**

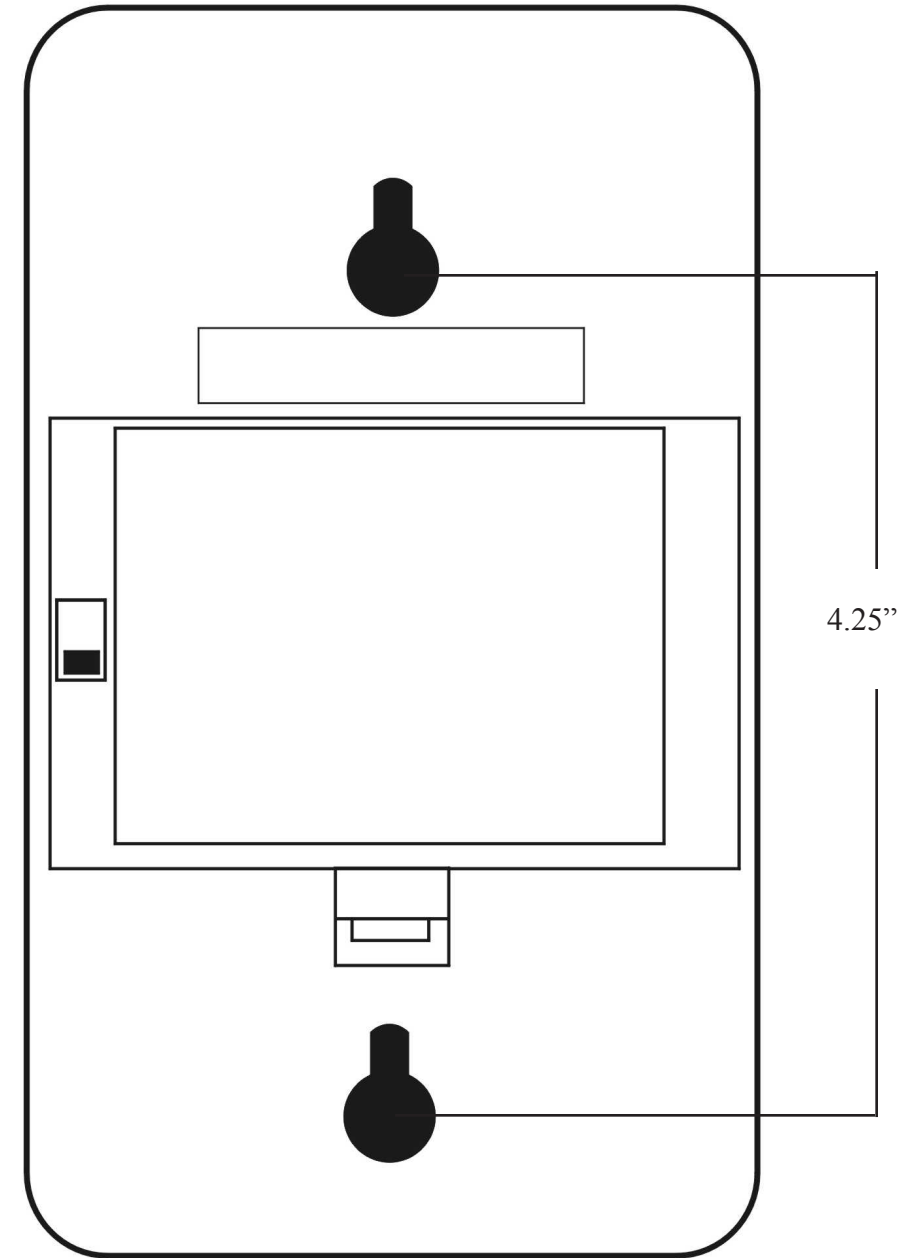
**Model WX-150 - User's Manual  
Public Alert™ Radio**



[www.simaproducts.com](http://www.simaproducts.com)

## TABLE OF CONTENTS

IMPORTANT SAFEGUARDS .....	3
CARE AND MAINTENANCE .....	4
FCC NOTICE TO USERS .....	5
INTRODUCTION .....	6
MAIN FEATURES .....	7
LOCATION OF CONTROLS .....	8
DESCRIPTION OF CONTROLS .....	9
MENU TREE .....	10
BATTERY INSTALLATION .....	11
<b>CHAPTER 1 - BASIC OPERATION</b>	
1.1 CHOOSING A LOCATION .....	12
1.2 CONNECTING POWER .....	12
1.4 SETTING THE CLOCK .....	13
1.5 SETTING WEATHER CHANNEL .....	14
<b>CHAPTER 2 - PROGRAMMING</b>	
SETTING SAME LOCATION.....	16-17
<b>CHAPTER 3 - ADVANCED PROGRAMMING</b>	
SET ALERT MODE .....	18
SET BACKLIGHT .....	18
SET KEYTONE .....	19
SET ALARM CLOCK .....	19
SET SIREN VOLUME .....	20
SIREN TEST .....	20
ADDING ALERTS .....	21
SET SIREN MODE .....	22
USING ALARM CLOCK .....	23
APPENDIX A - NOTES AND TIPS .....	23
APPENDIX B - HANDICAPPED ACCESSORIES .....	24
WALL MOUNTING .....	24
ALERT DESCRIPTION TABLE .....	25
TROUBLESHOOTING .....	26
SPECIFICATIONS .....	27
SERVICE .....	28
WARRANTY .....	29
WALL MOUNT TEMPLATE .....	29



Wall Mounting Template

## Notes

### **IMPORTANT SAFEGUARDS**

When using electrical appliances, the following basic safety precautions should always be followed.



**CAUTION!**



The Manufacturer does not represent this unit to be waterproof. To reduce the risk of fire, electrical shock, or damage to the unit, do not expose this unit to rain or moisture or immerse in water.



**CAUTION!**



This product has the capability to operate with four (4) 1.5V AA batteries (either rechargeable Nicad, NiMH or non-rechargeable alkaline), Please dispose of batteries properly or recycle at the end of the life of the battery. Do not incinerate or compost batteries, as they can explode at high temperatures. Contact your local authority for information concerning reclamation and disposal of rechargeable nickel-cadmium batteries. Cadmium is a chemical identified by Proposition 65 in the State of California to cause cancer.



**CAUTION!**



This product has a built-in circuit for charging four (4) 1.5V AA rechargeable NiCad or NiMH batteries. When regular alkaline batteries are used as a backup power source, set the selection switch in the battery compartment to the “Alkaline” position to switch off the internal charger.

### **CHARGING ALKALINE BATTERIES CAN CAUSE LEAKAGE OR A FIRE**



**DANGER!**



To reduce the risk of electric shock, do not disassemble this product. Take it to a manufacturer authorized service personnel when service or repair work is required. Opening or removing cover voids warranty. This unit does not contain any parts that can be repaired by the user.

© 2006 Sima Products Corporation all rights reserved

© 2006 First Alert®: all rights reserved.

First Alert® is a registered trademark of the First Alert Trust, used under license.

## Care and Maintenance

- Wipe unit with a damp cloth occasionally to clean. Do not use harsh chemicals, cleaning solvents or strong detergents.
- Do not allow anything to rest on the power cord.
- Do not locate this product where persons walking on it could damage the cord. Keep cord away from heated surfaces.
- To disconnect, grip the AC adapter and pull it from the wall outlet. Never disconnect by pulling on the cord.
- This product is designed to operate using the AC adapter supplied in a household application or 12V DC for portable use.
- LCD screens can change color in extreme temperatures. If the unit is exposed to temperatures below -20°C (-5°F) or above +60°C (+140°F), the display may temporarily cease to function properly, or could result in permanent damage.

### **Contents in this package**

- One Public Alert™ Radio – WX-150
- One AC Power Adapter  
120VAC: 12VAC
- One User's Manual (this document)

### **90-Day Limited Warranty**

Sima Products Corp. ("Company") warrants that if the accompanying product proves to be defective to the original purchaser in material or workmanship within 90 days from the original retail purchase, the Company will, at the Company's option, either repair or replace same without charge (but no cash refund will be made).

#### **Conditions**

1. You must deliver, mail or ship the product, together with the original bill of sale and this limited warranty statement as proof of warranty coverage to:

**Sima Products Corporation**  
**Attn: Customer Service**  
**140 Pennsylvania Ave, Bldg #5**  
**Oakmont, PA 15139**

2. This warranty is void if any defects are caused by abuse, misuse, negligence or unauthorized repairs.
3. All liability for incidental or consequential damages is specifically excluded. Some states do not allow the exclusion or limitation of incidental or consequential damages, so the above limitation or exclusion may not apply to you. This warranty gives you specific legal rights, and you may also have other rights which vary from state to state.

#### **Limitation of Liability and Remedies**

Sima shall have no liability for any damages due to loss of profits, loss of use or anticipated benefits, or other incidental, consequential, special or punitive damages arising from the use of, or the inability to use, this product, whether arising out of contract, negligence, tort or under any warranty, even if Sima has been advised of the possibility of such damages. Sima's liability for damages in no event shall exceed the amount paid for this product. Sima neither assumes nor authorizes anyone to assume for it or any other liabilities.

## SERVICE PROCEDURE

You may be asked to send your unit in for service. It will be necessary to furnish the following in order to have the product serviced and returned.

1. For Warranty Repair, include some form of proof-of-purchase.
2. You must include the Public Alert System Receiver unit and power adapter.
3. Enclose a description of the problem with the unit. Include a typed or clearly printed name, address, and phone number where you can be contacted.
4. Pack the unit securely to prevent damage in transit. If possible, use the original packing material.
5. Ship the unit prepaid and insured by way of a traceable carrier (to avoid loss in transit) such as United Parcel Service (UPS), Roadway Parcel Service (RPS) or First Class Insured

**Mail to:**

**Sima Products Corporation  
Attn: Customer Service  
140 Pennsylvania Ave, Bldg #5  
Oakmont, PA 15139**

The Manufacturer is not responsible for units not received if the package has not been properly insured.

6. If the unit is in warranty, upon receipt of your unit it will either be repaired or exchanged.

Please allow approximately 2 to 4 weeks for your radio to be serviced. If the unit is out of warranty, we will notify you of the repair charge or replacement charge. If you have any questions, please call 800-345-7462 for assistance.

## FCC NOTICE TO USERS

The system may cause interference to a TV or radio even when it is operating properly. To determine whether the system is causing the interference, turn it off. If the interference goes away, the system is causing the interference. This equipment has been tested and found to comply with the limits for a Class B digital device, pursuant to Part 15 of the FCC Rules. These limits are designed to provide reasonable protection against harmful interference in a residential installation.

This equipment generates, uses and can radiate radio frequency energy and, if not installed and used in accordance with the instructions, may cause harmful interference to radio communications. However, there is no guarantee that interference will not occur in a particular installation. If this equipment does cause harmful interference to radio or television reception, which can be determined by turning the equipment off and on, the user is encouraged to try to correct the interference by one or more of the following measures:

- Reorient or relocate the receiving antenna.
- Increase the separation between the equipment and receiver.
- Connect the equipment into an outlet on a circuit different from that to which the receiver is needed.
- Contact your dealer for help.

This device complies with Part 15 of the FCC Rules. Operation is subject to the following two conditions:

1. This device may not cause harmful interference.
2. This device must accept any interference received, including interference that may cause undesired operation.

**WARNING:** changes or modifications to this unit not expressly approved by the party responsible for compliance could void the user's authority to operate the equipment

### **IMPORTANT!**

Clear voice reception is important, but does not guarantee that an emergency alert will trigger your unit's alert siren. To test actual reception and alert response, your unit must receive a test or emergency alert signal broadcast. The National Weather Service (NWS) broadcasts a test alert every week typically on Wednesday between 11AM and 12PM (noon). The radio will warn you if it has not received an alert within 10 days. To find out the specific test schedule in your area, contact your local National Oceanic and Atmospheric Administration (NOAA) or National Weather Service (NWS) office - 1-888-697-7263. These offices are usually listed in the telephone book under "US Government" or visit the NOAA website at

<http://www.nws.noaa.gov/nwr/>

**REMEMBER – FOR YOUR SYSTEM TO BE EFFECTIVE, YOU MUST PLACE IT WHERE IT CAN RECEIVE AN EMERGENCY ALERT SIGNAL AND WHERE YOU CAN HEAR ITS ALERT SIREN OR SEE ITS FLASHING LIGHTS.**

## INTRODUCTION

Congratulations on your purchase of the First Alert® brand Public Alert™ Radio, Model WX-150. This product complies with the exacting standards for CEA-2009A Public Alert™ devices, and will provide reliability, long life and outstanding performance. The WX-150 receives digitally encoded civil and weather emergency alert messages transmitted from National Oceanic and Atmospheric Administration's Weather Radio (NWR) broadcast towers. NOAA has more than 900 towers in the 50 states and near adjacent coastal waters, Puerto Rico, the U.S. Virgin Islands and the U.S. Pacific Territories. The WX-150 Public Alert™ Radio receives all 7 NOAA weather channels and uses Specific Area Message Encoding (S.A.M.E.) technology to identify specific areas, like a county or portion of a state.

## How it works

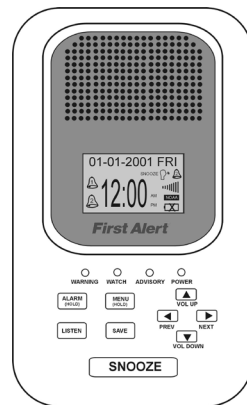
The WX-150 displays NOAA text messages on the LCD screen. When an alert is received, the alert siren sounds and the radio automatically switches to the voice broadcast. Messages are identified by one of three color-coded LED lights as follows: "Advisory" (yellow), "Watch" (orange) or "Warning" (red). External handicapped accessory devices are also triggered, if connected.

You can select up to 20 locations for your radio to respond to. **Note: You must select the correct weather channel to receive warnings from NOAA for the state/county locations that you have programmed.**

There are advanced optional settings which you can use, such as Defeat Siren and Add Alerts to customize the response of your radio.



For up-to-date information on NOAA and weather frequencies used in your area, check the NOAA web site at <http://www.nws.noaa.gov/nwr> or call 1-888-NWR-SAME (1-888-697-7263).



## WX-150 Specifications

### WEATHER BAND CHANNELS

Channel 1.....	162.400 MHz
Channel 2.....	162.425 MHz
Channel 3.....	162.450 MHz
Channel 4.....	162.475 MHz
Channel 5.....	162.500 MHz
Channel 6.....	162.525 MHz
Channel 7.....	162.550 MHz

### Power Requirements:

12V DC 300mA (120V power adapter)  
4 AA Alkaline, Ni-Cad or NiMH Batteries (not included) Center Pin positive  
**WB Antenna:** 18" Telescopic Rod Antenna  
**External Alert Trigger:** 3.5mm mono audio jack  
250ma@12VDC  
**Size:** 7-7/8"(L) X 4-3/4" (W) X 2-1/2" (D)  
**Weight:** 13.5 oz. (without batteries)

### ACCESSORIES

- AC Power Adapter (Included)
- Car Power Adapter (Optional – Not Included)
- Handicapped Accessories (not included)

## Trouble Shooting

Problem	Possible Cause and Solution
POWER light does not come on	AC power may not be connected. Make sure AC adapter is properly plugged into the radio and the wall outlet.
POWER light is blinking	AC power has been removed. Unit is running on backup battery power. Check AC adapter connections to restore power.
Siren does not sound	<ol style="list-style-type: none"> <li>1. Radio is set to Voice not Siren. Check Alert Mode setting.</li> <li>3. Alert is blocked. To Unblock alerts see the Setting Siren Mode instructions on page 22.</li> </ol>
“10 Day Alert Sentry” is displayed on the LCD screen.	Your radio has not received an alert for 10 days or more. Weather channel or S.A.M.E. location programming may be incorrect. Re-program weather channel and S.A.M.E. according to instructions on pages 14-15. Also make sure radio is getting clear reception.
No sound from the radio’s speaker	Check to make sure the Volume setting is not at the lowest level. Check the Alert Audio output. Connecting a device to the Alert Audio output, mutes the radio’s speaker.
There is only static when I press the radio ON button.	<ol style="list-style-type: none"> <li>1. May have programmed incorrect weather channel. To reset weather channel, follow instructions on page 14.</li> <li>2. Poor reception. Adjust antenna, move radio location.</li> </ol>

## The main features of the WX-150 Public Alert Radio include:

### NOAA Alert Function

Your Public Alert™ Radio will automatically sound an alert tone siren and flash the corresponding LED color indicator when it receives a weather or civil emergency broadcast from NOAA (Weather Band).

### Specific Area Message Encoding (S.A.M.E.)

Allows you to store up to 20 different location codes into memory. Each code identifies a specific geographic area, typically a county as defined by NOAA. Setting the S.A.M.E. location helps reduce unnecessary alerts.

### Alphanumeric Liquid Crystal Display (LCD)

The LCD displays the NOAA weather band channels, time, programming information and alert/status description. When powered from the AC adapter or 12V DC source, the display is backlit continuously for low light situations.

### Non-Volatile Memory

Radio programming is stored in non-volatile memory and will not lose settings, even when AC and battery power is removed.

### Remote Alert

This feature can be used to control external handicapped accessible devices such as strobe lights, pillow vibration modules and external sirens.

### Rear Power Jack

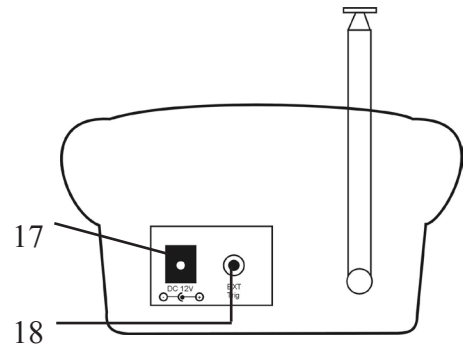
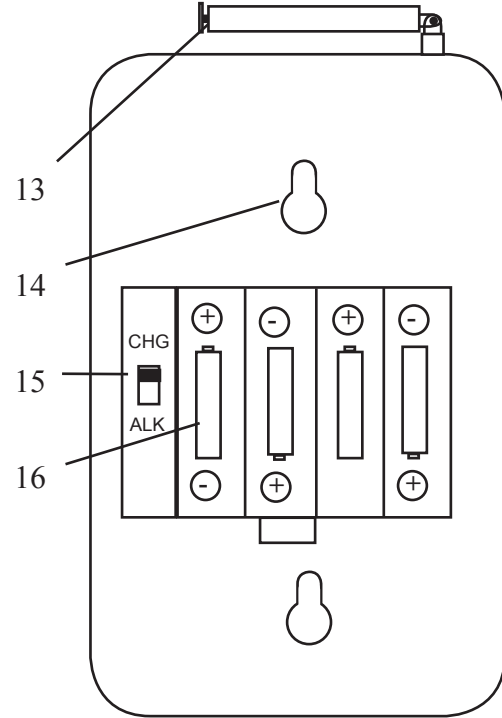
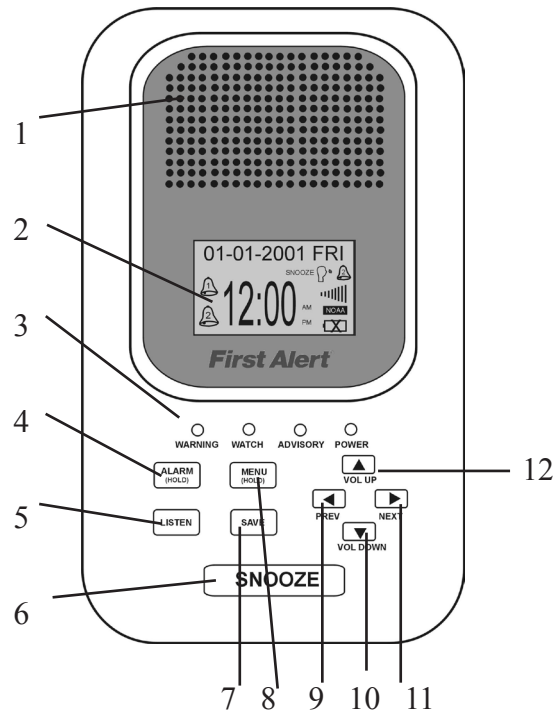
Connects to 12V AC wall adapter or 12VDC car accessory plug adapter.

### Battery Backup

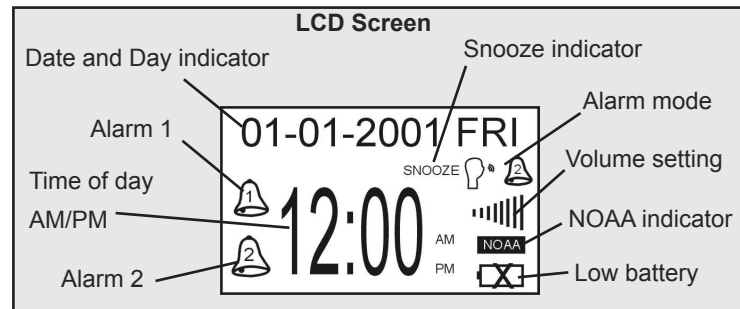
The unit will operate on four AA rechargeable Ni-Cad, NiMH or standard alkaline batteries. A switch located in the battery compartment is provided to select the type of battery used. Alkaline batteries will provide over 50 hrs of operation while rechargeable NiCad and NiMH batteries will provide over 12 hours. See battery installation section (page 11) for more information.



## LOCATION OF CONTROLS



1. Speaker
2. LCD screen
3. LED Warning Indicator lights.
4. Alarm ON/OFF button
5. LISTEN to NOAA Weather Band
6. Snooze button
7. SAVE button
8. MENU button
9. PREVIOUS button
10. Vol DOWN button
11. NEXT button
12. Vol UP button
13. 18" Telescopic antenna
14. Hang holes for wall mounting
15. Charge/Alkaline battery switch
16. Battery compartment with polarity (+ -) label
17. 12V DC input
18. External output



**Alert Description Table:** The table below lists the alerts broadcast by NOAA. At the factory, your radio has been programmed with some alerts Blocked (B) as noted below. In addition, some NOAA alerts are Unblockable (UB) as noted below. To block additional events, see the SIREN MODE instructions on page 22.

Code	(Blocking)	Message	Code	(Blocking)	Message	Code	(Blocking)	Message
ADR	(B)	Administrative message	FLA		Flood Watch	SMW		Special Marine Warning
AVA		Avalanche Watch	FLS		Flood Statement	SPS		Special Weather Statement
AVW		Avalanche Warning	FLW		Flood Warning	SPW	(UB)	Shelter In-Place Warning
BHW	(UB)	Biological Hazard Warning	FRW		Fire Warning	SVA		Severe Thunderstorm Watch
BWW		Boil Water Warning	FSW		Flash Freeze Warning	SVR		Severe Thunderstorm Warning
BZW		Blizzard Warning	FZW		Freeze Warning	SVS		Severe Weather Statement
CAE		Child Abduction Emergency	HLS		Hurricane Statement	TOA		Tornado Watch
CDW	(UB)	Civil Danger Warning	HMW	(UB)	Hazardous Mat. Warning	TOE		911 Telephone Outage
CEM	(UB)	Civil Emergency Message	HUA		Hurricane Watch	TOR	(UB)	Tornado Warning
CFA		Coastal Flood Watch	HUW	(UB)	Hurricane Warning	TRA		Tropical Storm Watch
CFW		Coastal Flood Warning	HWA		High Wind Watch	TRW	(UB)	Tropical Storm Warning
CHW	(UB)	Chemical Hazard Warning	HWW		High Wind Warning	TSA	(UB)	Tsunami Watch
CWW	(UB)	Contaminated Water Warning	IBW		Iceberg Warning	TSW	(UB)	Tsunami Warning
DEW	(UB)	Contagious Disease Warning	IFW	(UB)	Industrial Fire Warning	TXB	(B)	Transmitter Backup On
DBA		Dam Watch	LAE	(UB)	Local Area Emergency	TXF	(B)	Transmitter Carrier On
DBW	(UB)	Dam Break Warning	LEW	(UB)	Law Enforcement Warning	TXO	(B)	Transmitter Carrier Off
DMO	(B)	Practice/Demo	LSW	(UB)	Land Slide Warning	TXP	(B)	Transmitter Primary On
DSW		Dust Storm Warning	NAT	(B)	National Audible Test	VOW	(UB)	Volcano Warning
EAN	(UB)	Emergency Action Notification	NIC	(B)	National Information Center	WFW		Wild Fire Watch
EAT	(UB)	Emergency Action Termination	NMN	(B)	Network Notification Message	WFA	(UB)	Wild Fire Warning
EQW	(UB)	Earthquake Warning	NPT	(B)	National Periodic Test	WSA		Winter Storm Watch
EVI	(UB)	Immediate Evacuation	NST	(B)	National Silent Test	WSW		Winter Storm Warning
EVA		Evacuation Watch	NUW	(UB)	Nuclear Plant Warning	**A		Unrecognized Watch
FCW	(UB)	Food Contamination Warning	POS		Power Outage Advisory	**E		Unrecognized Advisory
FFA		Flash Flood Watch	RHW	(UB)	Radiological Haz. Warning	**S		Unrecognized Emergency
FFS		Flash Flood Statement	RMT	(B)	Required Monthly Test	**W	(UB)	Unrecognized Warning
FFW		Flash Flood Warning	RWT	(B)	Required Weekly Test	***		Unrecognized Message
						10D		10 Day Sentry



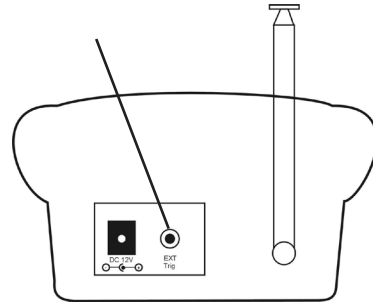
## Handicapped Accessories - Appendix B

The WX-150 Public Alert radio is equipped to connect a variety of special needs accessory devices including strobe lights, pillow vibration modules and remote sirens.

Once connected, these devices will automatically be activated when the radio receives an advisory, watch or warning for the duration of the radio siren or until you press the Radio OFF button.

To connect a special needs accessory, plug the device into the Remote Alert jack on the rear panel of the radio shown in Fig. 1. This jack requires a 3.5 mm connector.

**Note:** If an alert is blocked, the accessory will not be activated. The Alert Volume switch does not affect devices connected to the remote alert



## Wall Mount Installation

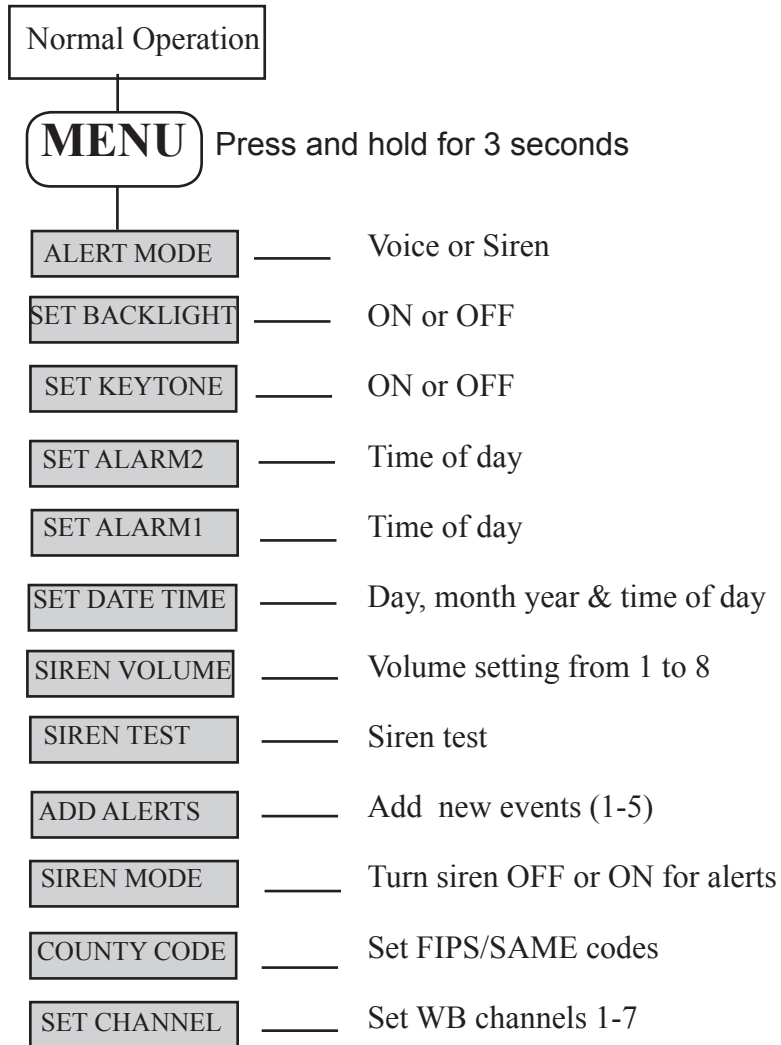
1. Use the mounting template from the back of this manual to position the radio on the desired wall.
2. Drill two screw holes as indicated on the template and fix the screws onto the wall, using drywall anchors if necessary. Leave a space of about 3mm (1/8") between the head of the screw and the wall.
4. Hang the radio onto the two screws on the wall, make sure the installation is secure. Connect the AC adapter to a power outlet to activate the radio.

**Note:** Be sure to install batteries before wall mounting

## Description of controls and functions

1. **Speaker**
2. **LCD Display** – Displays time and alert messages. Also used to display different options when programming.
3. **LED Indicator Lights** - “Warning” (Red), “Watch” (Orange), “Advisory ” (Yellow), Power (Green)
4. **Alarm ON/OFF**- Press to turn Alarm1 and Alarm 2 off and on.
5. **Listen** - Press to listen to NOAA weather broadcast
6. **Snooze Button** - Silences wake-up alarm for a period of 9 minutes.
7. **Save** - Press to exit and save changes in programmable menus.
8. **Menu** - Press and hold to enter programmable menus
9. **PREV(ious) Button** – Use to scroll back through previous menu options while programming.
10. **Vol Down** - Use to turn volume down and to scroll down through menu lists
11. **NEXT Button** – Use to scroll forward through menu options while programming.
12. **Vol Up** - Use to turn volume up and to scroll up through menu lists
13. **18” Integrated Telescopic Antenna** – Fully extend the antenna and orient it for best reception.
14. **Hang holes** - for wall mounting
15. **Battery Selection Switch** – Select “Alkaline” or “Charge” according to back-up battery type. See battery installation instructions on page 11 for diagram.
16. **Polarity markings** - indicates proper + and - alignment of battery.
17. **DC Power Jack** – Connect AC Adapter or 12V DC from car cigarette adapter (not included)
18. **Remote Alert (3.5 mm Jack)** – Provides contact closure to activate external devices.

# WX-150 Menu Tree

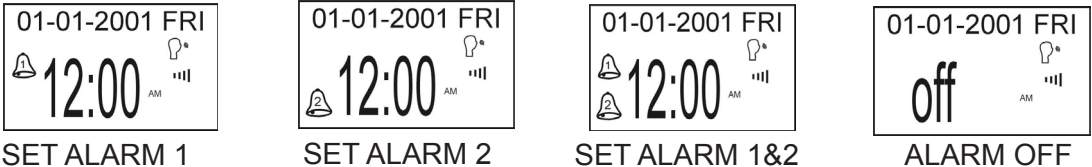


## Using the Alarm Clock

The WX-150 has 2 alarm settings. To set the time refer to the Setting the ALarm Clock section on page 19. To activate the alarms:

Press and hold the ALARM button for 3 seconds.

The icon and time setting for Alarm1 will be displayed on the screen. Pressing the ALARM button will cycle through the alarm options as follows:



The alarm is activated for the icons shown. After selecting the desired alarm settings, press SAVE button to save and exit to normal operation.

## Appendix A - Notes and Tips

**Self Test :** The WX-150 will automatically notify you if it has not received a test message in the previous 10 days, by lighting the amber “Advisory” LED indicator and displaying “10 DAY ALERT SENTRY” on the LCD screen.

**CAUTION!** Storm front activity can continue even though the alert’s effective time has expired. The end of an alert does not mean that the related emergency is over.

**Antennas:** For best Weather Band reception, lift up the built-in telescopic antenna and fully extend it vertically. The Weather Band channel that gives you the best reception may not be the one that broadcasts weather information for your own location or county. To improve reception move the radio location.

## To Review Alert Messages

The WX-150 will store up to 17 alert messages in its memory. Alerts are removed automatically when the time for the event expires. If all stored alerts are active, it will replace the oldest active alert upon exceeding the memory limit. Press the NEXT (>) or PREV (<) button to view stored alerts.

Upon selection of the warning level, press the **SAVE** button to save and exit to the ADD ALERTS prompt of the main menu list. To add another alert at this time, press the **NEXT** button to enter the ADD ALERTS menu and repeat steps 3-5. To return to normal operation press the **MENU** button. **Note: if you exit the ADD ALERTS menu by pressing the MENU button, your changes will not be saved.**

## Setting the Siren Mode

The WX-150 allows you to block the siren from sounding on some warnings that are not relevant to your area. For example, a flood warning that may be issued in your county may not affect your location. You may not want the siren to sound for a flood warning alert. **Note: Some alerts, such as Tornado Warning, are not blockable.**

- To set the Siren Mode :**
- ALERT MODE

SIREN MODE

Administrative Mess  
OFF
1. Press and hold the **MENU** button for 3 seconds. The radio will display the main menu list showing ALERT MODE.
  2. Press the **UP(▲)** button 3 times to scroll up through the main menu list to the SIREN MODE menu.
  3. Press the **NEXT** button to enter the Siren Mode menu. The words ADMINISTRATIVE MESSAGE will scroll across the top of the screen. This is the first alert on the list of alerts that NOAA can broadcast. You have the option to turn the siren OFF to block this alert or ON to receive it . Use the **PREV** and **NEXT** buttons to make your selection.
  4. After setting the Siren Mode for this alert, use the **UP/DOWN (▲/▼)** buttons to scroll through the list of alerts, following the same sequence to set the Siren Mode for each alert desired.

Upon selecting of the Siren Mode for the desired alerts, press the **SAVE** button to save and exit to the SIREN MODE prompt of the main menu list. To set the SIREN MODE for additional alerts at this time, press the **NEXT** button to enter the SIREN MODE menu and repeat steps 3 and 4. To return to normal operation press the **MENU** button.

**Note: if you exit the ADD ALERTS menu by pressing the MENU button, your changes will not be saved.**

## Battery Installation

The WX-150 uses 4 AA batteries for back-up power. It can run on non-rechargeable alkaline, or rechargeable Nickel Cadmium (Ni-Cad) or Nickel Metal Hydride (NiMH) batteries. When the radio is operating on battery power, the green READY light will blink.

Use the slide switch located inside the battery compartment to select the battery type. (See Fig. 1) When alkaline batteries are installed, push the switch down to select “ALK” When using rechargeable batteries, push the switch up to select “CHG”. It is recommended that rechargeable batteries be replaced every three years.

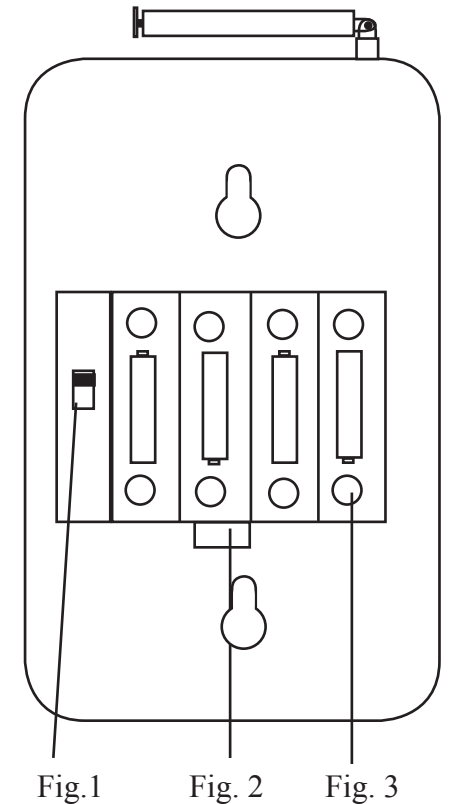
### DO NOT CHARGE ALKALINE BATTERIES!

**Always set the battery select switch to “ALK” before installing alkaline batteries. Using the “CHG” setting with alkaline batteries may cause batteries to leak and present a a fire hazard.**

#### To install or replace the batteries:

- Turn the unit upside down. Locate the battery compartment door tab (Fig. 2), press down on the door tab and lift the cover up to open
- Insert the batteries into the battery compartment. Be sure to follow the polarity markings. (Fig. 3)
- Set the battery charging switch to ALK for non-rechargeable alkaline batteries. Set it to CHG for NiCad rechargeable batteries.
- Replace the cover.

**NOTES:** Rechargeable batteries must be charged for at least 24 hours before they are ready. Rechargeable batteries provide approximately 15 to 20 hours of operation time. Non-rechargeable alkaline batteries will provide over 50 hours of operation time. To maintain maximum backup time, do not disconnect AC power supply from the unit while in use. Remove the batteries when the unit is not used for a prolonged period of time.



# Chapter 1 - Basic Operation

## Setting up your Public Alert™ radio

### 1. Choosing a place for your radio

Your WX-150 is designed for desktop or wall mount installation. Place the unit where it can receive an emergency alert signal broadcast and where you can hear its alert tone or see the message indicator lights. The best location to install the WX-150 is:

- Clear of any obstructions.
- Near windows or large openings.
- Near an AC power outlet
- Near to where the user(s) would normally stay, such as a bedroom, living room or office.

- Keep the receiver away from interference sources e.g. motors, computers, TV or microwave ovens.

The WX-150 has a 17" telescopic antenna. Fully extend the antenna. Adjust by moving.

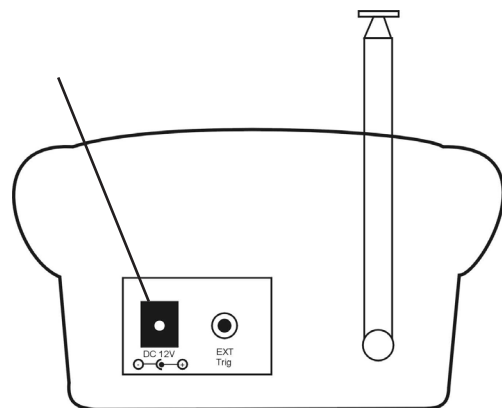
### 2. Connecting the Power

#### USING A STANDARD 120V AC OUTLET

1. Plug the AC adapter cord into the 12V DC input jack on the back of the unit.
2. Plug the adapter into the wall outlet.

**Note:** The internal battery charger will automatically begin to charge the batteries\* if the "Rechargeable" setting is selected. Keep the unit plugged in at all times. The unit will be ready to use in the event of a power failure.

- \* Do not charge alkaline batteries.



#### VEHICLE USE (12V DC)

Use an optional 12V DC car adapter (not included). Plug the adapter cord into the 12V DC input jack on the back of the unit. Plug the other end into your vehicle's cigarette lighter or accessory outlet.

## Adding Alerts

The WX-150 provides the ability to add up to 4 new alerts. This feature allows you to update your WX-150 in the event that NOAA changes or adds alerts to the message menu in the future. **The alerts you add must have the same exact 3 letter code used by NOAA for your radio to respond properly.**

ALERT MODE

ADD ALERTS

NEW EVENT 1 - - -

NEW EVENT 1 AAA

A AAA AAAAA 1

LEVEL ADVISORY

#### To add a new alert:

1. Press and hold the **MENU** button for 3 seconds. The radio will display the main menu list showing ALERT MODE.
2. Press the **DOWN** (▲) button 4 times to scroll up through the main menu list to the ADD ALERTS menu.
3. Press the **NEXT** button to enter the ADD ALERTS menu. The words NEW EVENT followed by a new event number and a 3 letter code (dashes) will be displayed. The event number will be flashing. Use the **UP/DOWN** (▲/▼) buttons to select the new event (1-4) you want to add.
4. Press the **NEXT** button. The first letter of the 3 letter code will begin flashing. Use the **UP/DOWN** (▲/▼) buttons to assign the code letter. For example: The 3 letter code for Tornado Warning is "TOR". Once you have selected the first letter, press the **NEXT** button and follow the same sequence to set the second and third letters respectively.
5. Upon completion of the 3 letter code, press the **NEXT** button to create the message that will accompany the warning. You can insert a 15 character letter/number text string. Use the **UP/DOWN** (▲/▼) buttons to assign a letter or number to each of the 15 spaces. Press the **PREV** or **NEXT** buttons to advance or retreat within the text string.
5. Upon completion of the message you must assign a warning level to the new alert. Press the **UP/DOWN** (▲/▼) buttons to select one of the following 3 levels: WARNING, WATCH or ADVISORY.

## Setting the Siren Volume

The WX-150 has 8 adjustable settings for the siren volume when an alert is received.

### Siren Volume 1-8

#### To set the Siren Volume:

ALERT MODE

1. Press and hold the **MENU** button for 3 seconds. The radio will display the main menu list showing ALERT MODE.

SIREN VOLUME

2. Press the **DOWN** (▼) button 6 times to scroll down through the main menu list to the SIREN VOLUME menu.

SIREN VOLUME

3. Press the **NEXT** button to enter the Siren Volume menu. The words SIREN VOLUME followed by a volume setting number will be displayed. The volume setting will be blinking. Press the **UP/DOWN** (▲/▼) buttons to select the desired volume setting. With each setting the radio will sound a sample of the appropriate siren volume.

Press the **SAVE** button to save the Siren Volume setting and exit to the main menu list. Press the **MENU** button to return to normal operation. **Note: if you exit the SIREN VOLUME menu by pressing the MENU button, your changes will not be saved.**

## Siren Test

You can easily test the siren of your WX-150.

#### To test the Siren :

ALERT MODE

1. Press and hold the **MENU** button for 3 seconds. The radio will display the main menu list showing ALERT MODE.

SIREN TEST

2. Press the **DOWN** (▼) button 7 times to scroll down through the main menu list to the SIREN TEST menu.

3. Press the **NEXT** button to test the siren. The radio will sound a sample of the siren.

Press the **SAVE** button to stop the Siren Test and exit to the main menu list. Press the **MENU** button to return to normal operation.

When the radio is powered up: the green “Ready” LED indicator will light up and the LCD screen will display the default time of 12:00.

## 3. Setting the Clock and Calendar

The WX-150 is equipped with a day, date and time clock as well as a dual alarm clock.

#### To set the day, date and time:

ALERT MODE

1. Press and hold the menu button for 3 seconds. The radio will display the main menu list showing ALERT MODE.

SET DATE TIME

2. Press the **DOWN** (▼) button 5 times to scroll down through the main menu list to the Set Date Time menu. *Note: The radio will automatically exit the programmable menu mode after 1 minute if no buttons are pressed.*

01-01-2005

3. Press the **NEXT** button to enter the Set Time Date menu. The time and date will be displayed in the following format: 01-01-2005. The month setting will begin flashing. Press the **UP/DOWN** (▲/▼) buttons to select the desired month.
4. Press the **NEXT** button to select the day of the month. The day setting will begin flashing. Use the **UP/DOWN** (▲/▼) buttons to select the desired day.
5. Press the **NEXT** button to select the year. Press the **UP/DOWN** (▲/▼) buttons to select the desired year.
6. Press the **NEXT** button to select the time of day: The hour setting will begin flashing. Use the **UP/DOWN** (▲/▼) buttons to set the hour as desired. *Note: Setting the hour also sets the AM/PM setting located to the upper left of the hour .*
7. When the hour is set as desired, press the **NEXT** button to select the minutes. The minutes setting will begin flashing. Use the **UP/DOWN** (▲/▼) buttons to set the minutes as desired.

Press **SAVE** when you have set the time and date as desired. The radio will save your settings and return to the main menu at the SET TIME DATE. Press the **MENU** button to return to normal operation.



## 4. Selecting the Weather Band Channel

*To receive alerts, you must first select the correct weather channel.*

NOAA broadcasts on the weather band on seven channels, in 25KHz increments, between the frequencies of 162.400MHz and 162.550MHz. as follows:

To identify the appropriate channel for your area, visit the NOAA web site at:  
<http://www.nws.noaa.gov/nwr/indexnw.htm>

Channel	Frequency (MHz)
1	162.400
2	162.425
3	162.450
4	162.475
5	162.500
6	162.525
7	162.550

The table on the NOAA website includes the correct weather band channel for your area, the SAME code and the location of the broadcast tower. Look for the state in which you live and then search the list for your county. Use the channel listed for your county when programming the radio.

## 5. Setting the WB channel for your listening area:

1. Press the radio **LISTEN** button to hear the voice broadcast.
2. Press and hold the **MENU** button for 3 seconds. ALERT MODE is displayed on the screen.
3. Press the **UP** (▲) button once to get to the SET CHANNEL menu.
4. Press the **NEXT** button to enter the WB Channel menu. The screen will show SET CHANNEL with the channel number displayed to the right. The channel number will begin blinking.
5. Use the **UP/DOWN** (▲/▼) buttons to select the desired WB channel.

ALERT MODE

SET CHANNEL

SET CHANNEL 7

Press the **SAVE** button to save the Channel Setting and return to main menu list. Press the **MENU** button to return to normal operation. **Note: if you exit the SET CHANNEL menu by pressing the MENU button, your changes will not be saved.**

**Note:** You can also select a weather channel by listening to each channel and choosing the one with the best reception. In most cases this will be the appropriate channel, however, sometimes broadcast areas overlap. The best reception may not originate from the tower broadcasting to your area.

## Set Keytone

The WX-150 has an adjustable setting for the beep tone when buttons are pressed.

**OFF** - no beep when buttons are pressed

**ON** - a beep tone sounds with each button press.

**To set the keytone:**

ALERT MODE

1. Press and hold the **MENU** button for 3 seconds. The radio will display the main menu list showing ALERT MODE.

SET KEYTONE

2. Press the **DOWN** (▼) button 2 times to scroll down through the main menu list to the SET KEYTONE menu.

ON

3. Press the **NEXT** button to enter the Set Keytone menu. The ON setting will begin flashing. Press the **UP/DOWN** (▲/▼) buttons to select the desired ON or OFF setting..

Press the **SAVE** button to save the Set KEYTONE setting and exit to the main menu list. Press the **MENU** button to return to normal operation. **Note: if you exit the SET KEYTONE menu by pressing the MENU button, your changes will not be saved.**

## Setting the Alarm Clock

The WX-150 has two wakeup alarms as well as a snooze button to provide maximum control over your alarm clock. The unit will alarm for 59 minutes unless stopped by pressing the SNOOZE or ALARM ON/OFF buttons. Pressing the **SNOOZE** button silences the alarm for 9 minutes

**To set the either Alarm 1 or Alarm 2 :**

1. Press and hold the **MENU** button for 3 seconds.
2. Press the **DOWN** button 3 times to select the ALARM2 menu. (Press 4 times to select ALARM1.)
3. Press the **NEXT** button.
4. The hour setting will begin flashing. Use the **UP/DOWN** (▲/▼) buttons to set the hour as desired. Note: the AM/PM setting is affected by the hours setting.
5. Press the **NEXT** button to advance to the minutes setting. The minutes will begin flashing. Use the **UP/DOWN** (▲/▼) buttons to set the minutes as desired.

When the alarm is set as desired, press the **SAVE** button to save the settings and exit to the main menu list. Press the **MENU** button to return to normal operation. **Note: if you exit the ALARM1 or 2 menus by pressing the MENU button, your changes will not be saved.**



# Chapter 3 - Advanced Programming Options

## Setting the Alert Mode

Your WX-150 has 2 programmable Alert Modes.

1. **Voice Mode** - Sounds a warning siren for 10 sec. and turns on voice broadcast
2. **Siren Mode** - Sounds warning siren for the duration of the message.

### To set the Alert Mode:

1. Press and hold the menu button for 3 seconds. The radio will display the main menu list showing ALERT MODE.
2. Press the **NEXT** button to enter the Alert Mode menu. The alert icon will begin blinking.  
Press the **UP/DOWN** (▲/▼) buttons to toggle between the Voice and Siren alert modes.

**Note:** When an alert is received, the colored LED warning light indicators will light up in both of the Alert Modes.

Press the **NEXT** button to save the Alert Mode setting and exit to the main menu list. Press the **MENU** button to return to normal operation. **Note: if you exit the ALERT MODE menu by pressing the MENU button, your changes will not be saved.**

## Set Backlight

The backlight for the WX-150 has an adjustable setting.

**OFF** - the backlight is always off except when a button is pressed or an alert is received.

**ON** - the backlight is always on except when operating on battery power. When operating on battery power, the backlight is activated only when a button is pressed or an alert is received.

### To set the backlight:

1. Press and hold the menu button for 3 seconds. The radio will display the main menu list showing ALERT MODE.
2. Press the **DOWN** (▼) button 1 time to scroll down through the main menu list to the SET BACKLIGHT menu.
3. Press the **NEXT** button to enter the Set Backlight menu. The ON setting will begin flashing. Press the **UP/DOWN** (▲/▼) buttons to select the desired ON or OFF setting..

ALERT MODE

SET BACKLIGHT

ON

Press the **SAVE** button to save the Set Backlight setting and exit to main menu list. Press the **MENU** button to return to normal operation. **Note: if you exit the SET BACKLIGHT menu by pressing the MENU button, your changes will not be saved.**

You are now ready to use your WX-150. To listen to the weather channel press the LISTEN button. Place the radio where it gets the best reception. To Turn off the weather channel press the LISTEN button again. Your radio can be further programmed to respond to alerts in specific areas. To custom program your radio for alerts in your area only, see the SAME programming instructions below.

## Specific Area Message Encoding (S.A.M.E.)

NOAA transmits coded weather and civil emergency alerts using Specific Area Message Encoding (S.A.M.E. technology). SAME enables you to customize your WX-150 to receive messages relevant to your area, thereby reducing unwanted alerts. SAME is activated by programming a 6 digit code - called a FIPS code - into your radio.

### What is a FIPS Code?

A Federal Information Processing System (FIPS) code is a six digit code that identifies the states and counties (or parishes) in the United States. The first digit identifies the county subdivision. The next two digits identify the state or territory, and the last three identify the county. The FIPS code for your area can be found by calling the NWS toll free number or visiting the website.

### The phone number is 1-888-NWS-SAME (1-888-697-7263)

Upon calling, an automated system will prompt you to enter your state and county. When you confirm the information, the system will provide your six digit FIPS code.

### The website is: [www.nws.noaa.gov/nwr/indexnw.htm](http://www.nws.noaa.gov/nwr/indexnw.htm)

Upon selecting your state from the chart, you will see a listing of all the counties in that state. For each county there is a listing of the SAME# (FIPS code), the location of the transmitter, the WB frequency, the call sign, the transmitter power and miscellaneous remarks. **NOTE:** Because broadcast areas overlap you may want to set more than one S.A.M.E. location. If you live near the border between counties, you may want to receive alerts from more than one tower. Please write your selected FIPS codes here for future reference.

	Subdivision	State	County
FIPS Code #1:	___	___	___
FIPS Code #2:	___	___	___
FIPS Code #3:	___	___	___
FIPS Code #4:	___	___	___
FIPS Code #5:	___	___	___

## Chapter 2 - S.A.M.E. Programming

Your radio is capable of being programmed with up to 20 different FIPS location codes. The first code has been programmed at the factory - 000000 - to respond to all messages within your area. To program the radio with the FIPS code for your area, follow the steps below.

ALERT MODE

1. Press and hold the **MENU** button for 3 seconds. ALERT MODE is displayed on the screen.

COUNTY CODE

2. Press the **UP** (▲) button twice to get to the COUNTY CODE menu.

CODE 01 000000

3. Press the **NEXT** button to enter the COUNTY CODE menu. The word CODE will be displayed in the upper left hand corner of the screen. To the right, "01" will be blinking, followed by six zeros. "01" indicates that this is the first of up to 20 FIPS codes that you can program into your radio. The factory default (000000) is set to respond to all messages broadcast in the reception area.

4. To change the default setting, press the **NEXT** button. The first digit in the six digit sequence will begin to blink. Use the **UP/DOWN** (▲/▼) buttons to select the desired number.

CODE 01 042003

5. Press the **NEXT** button to select the second digit. Use the **UP/DOWN** (▲/▼) buttons to set the second digit. Repeat this sequence until you have set all six digits as desired.

If you are not going to program additional FIPS codes at this time, press the **SAVE** button to save and exit to the main menu. Press the **MENU** button to return to normal operation.

To exit the COUNTY CODE menu without saving your changes, press the **MENU** button. This will return you to the COUNTY CODE prompt in the main menu. If you want to return to normal operation, press the **MENU** button again. **Note: exiting by using the MENU button will not save any changes you made within the COUNTY CODE Menu.**

To enter additional FIPS codes, press the **SAVE** button to save the first code and return to the COUNTY CODE menu prompt.

CODE 02 - - - - -

6. Press the **NEXT** button to re-enter the COUNTY CODE menu. "01" will be blinking.

7. Press the **UP** (▲) button. "02" will be blinking, indicating that this is the second of 20 programmable codes. You will see six dashes (- - - - -). The dashes are null characters. **Note: The radio will not respond to a code with dashes in it.**

8. To set code 02, press the **NEXT** button. The first digit in the six digit sequence will begin to blink. Use the **UP/DOWN** (▲/▼) buttons to select the desired number. Press the **NEXT** button to select the second digit. Use the **UP/DOWN** (▲/▼) buttons to set the second digit. Repeat this sequence until you have set all six digits as desired.

Press the **SAVE** button to save and exit to the COUNTY CODE menu prompt. To set additional codes, repeat steps 6-8 above, selecting codes 03-20 as desired. To return to normal operation, press the **MENU** button.

**Note: if you exit the COUNTY CODE menu by pressing the MENU button your changes will not be saved.**

### TEST SIGNAL FROM NOAA

NOAA sends out test signals weekly and monthly to verify that your Public Alert radio is working properly. Your radio is programmed at the factory to block the alert siren for the test signals. When the test signal is received:

1. The LCD screen will display the text message
2. The amber Advisory light will blink for 15 seconds.
3. The siren will not sound.
4. Weekly and monthly tests are stored in the Alert Queue.

**Note:** If the WX-150 has not received a test signal or an alert for a period of 10 days, it will display **10 DAY ALERT SENTRY** on the LCD screen and the amber Advisory LED will blink. Check the SAME location and WB channel settings to be sure your radio is properly programmed.